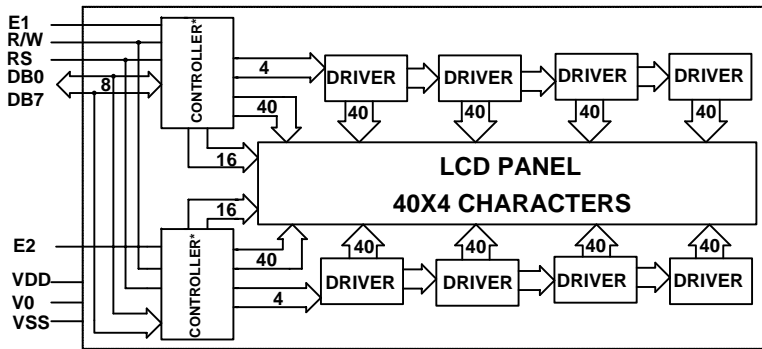
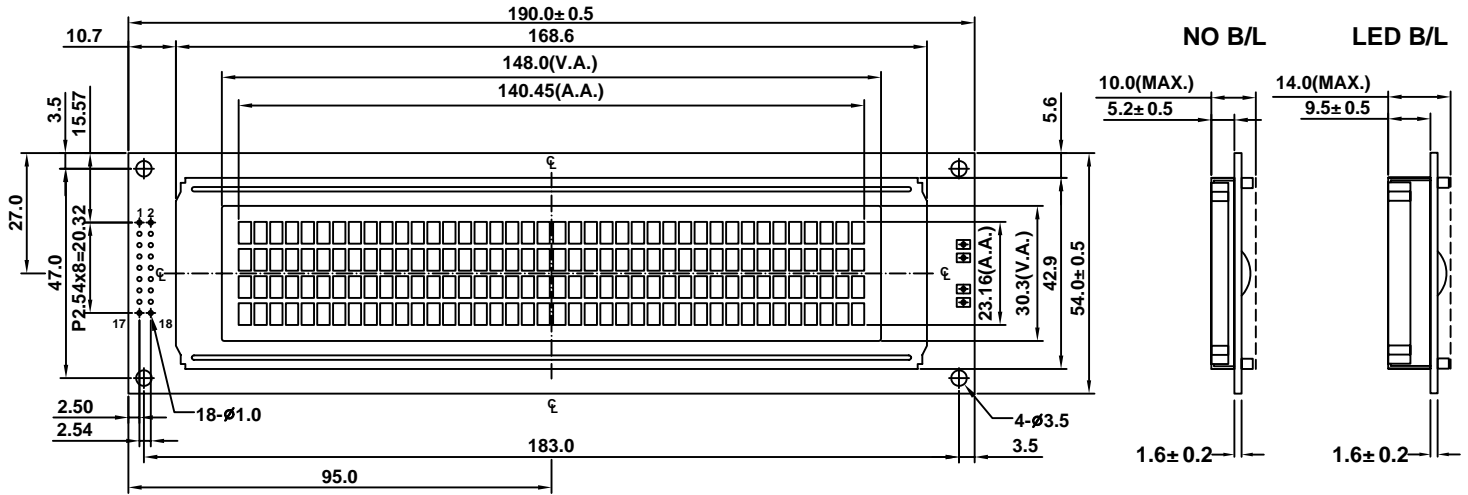
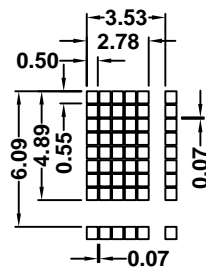


BHC4004D

CONTOUR DRAWING & BLOCK DIAGRAM



*S6A0069 OR EQUIVALENT



MECHANICAL SPECIFICATION		
ITEM	SPECIFICATION	UNIT
Module Size	190.0X54.0X10.0/14.0	mm
Viewing Area	148.0X30.3	mm
Character Font	5 x 7 + cursor	dots
Character Size	2.78X4.89	mm
Character Pitch	3.53X6.09	mm
Dot Size	0.50X0.55	mm

ABSOLUTE MAXIMUM RATINGS				
PARAMETER	SYMBOL	MIN.	MAX.	UNIT
Supply Voltage	Vdd	-0.3	7.0	V
LCD Supply Voltage	Vlcd(Vdd-V0)	Vdd-12.0	Vdd+0.3	V
Input Voltage	Vin	-0.3	Vdd+0.3	V
Operating Temperature*	Top	0/-20	50/70	° C
Storage Temperature*	Tstr	-10/-30	60/80	° C

*T1/T2: T1 for standard temperature LCM, T2 for wide temperature LCM

PIN CONNECTIONS		
PIN	SYMBOL	DESCRIPTION
1-8	DB7 to DB0	Data Bus
9	E1	Enable For Chip1
10	R/W	Read/Write
11	RS	Register Select
12	V0	Power Supply for LCD
13	Vss	Power Supply : 0V
14	Vdd	Power Supply : +5V
15	E2	Enable For Chip2
16	NC	NO CONNECT
17	A	Anode for backlight
18	K	Cathode for backlight

ELECTRICAL CHARACTERISTICS(Ta=25° C)						
ITEM	SYMBOL	CONDITION	MIN.	TYP.	MAX.	UNIT
Supply Voltage(logic)	Vdd	-	4.5	5.0	5.5	V
Supply Current(logic)	Idd	Vdd=5.0	1.0	1.2	3.0	mA
Driving Voltage(LCD)	Vlcd	-	4.6	5.0	5.5	V
Driving Current(LCD)	Ilcd	-	-	0.3	0.6	mA

BACKLIGHT CHARACTERISTICS (Ta=25° C)						
PARAMETER	SYMBOL	CONDITION	MIN.	TYP.	MAX.	UNIT
Supply Voltage	Vf	-	3.8	4.1	4.3	V
LED Forward Current	If	Vf=4.1V	-	500	-	mA
LED Dissipation	Pd	-	-	2050	-	mW