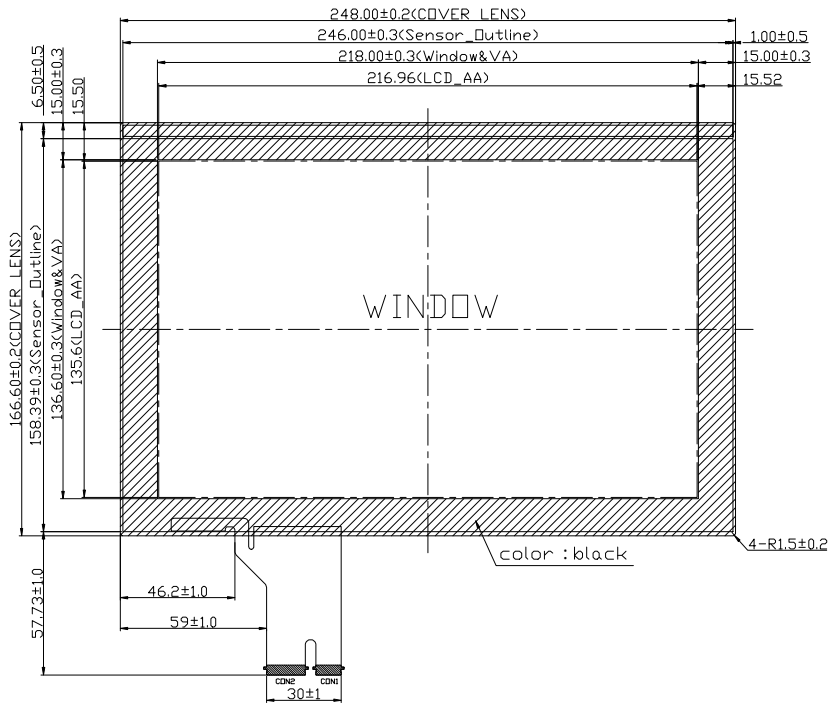
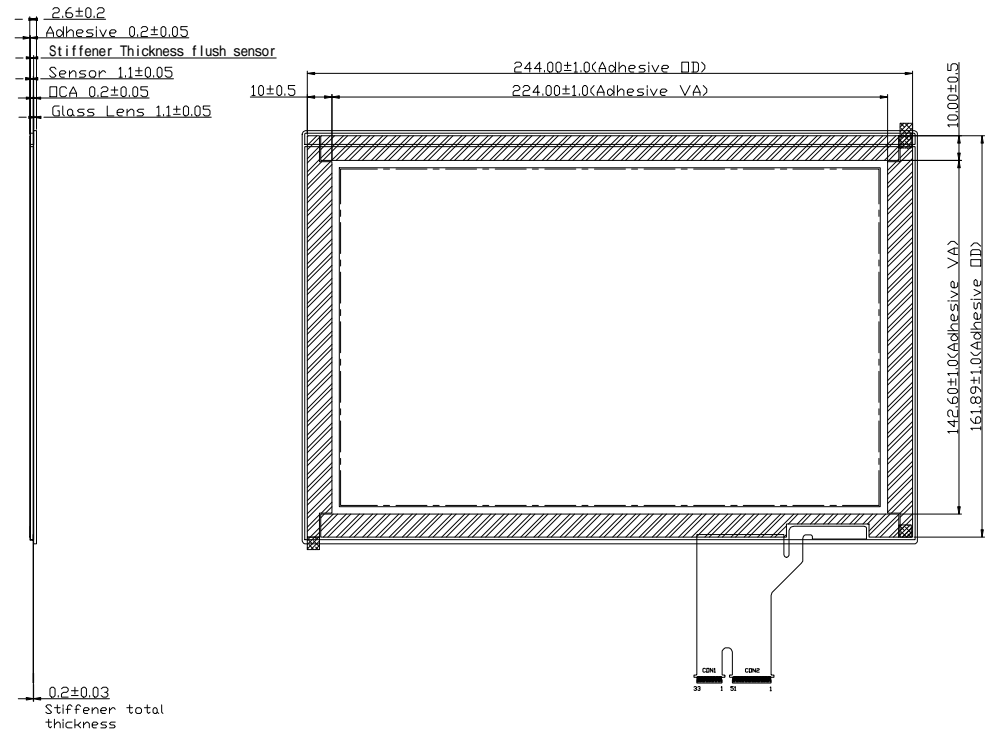


MARK	8	7	6	5	4	3	2	1		
	HISTORY			NAME	DATE	HISTORY			NAME	DATE
▲										
▲										
▲										
▲										
▲										

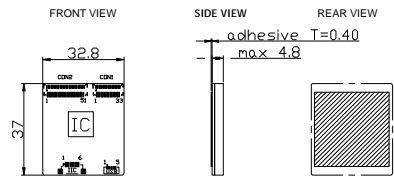
FRONT VIEW



REAR VIEW



- Notes:
- Operating Temperature: -10 ~+60 ; Storage Temperature: -20 ~+70 .
 - Hardness 7H.
 - Transparency 85%.
 - Unspecified Tolerance: ± 0.30.
 - ROHS Compliance.



PIN ASSIGNMENT	
USB	
Pin	Name
1	VDD
2	D-
3	D+
4	GND
5	GND

DY1012W-2500				Customer Part No.	SHEET	UNIT	SCALE	ver.1
				10.1 Inch	A4	mm	1:1	
DESIGN	murphy	DATE	2016.06.12					
CHECK		DATE						