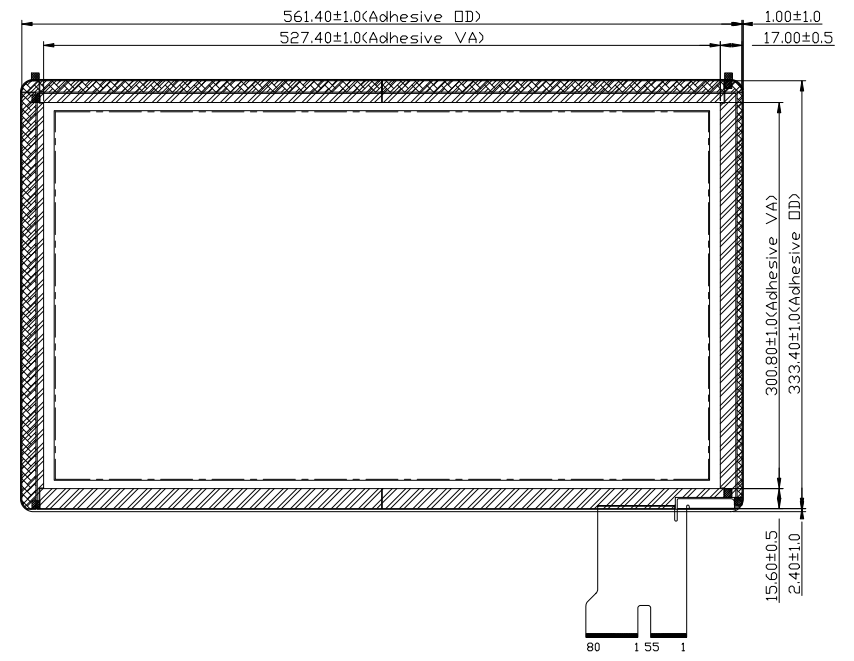
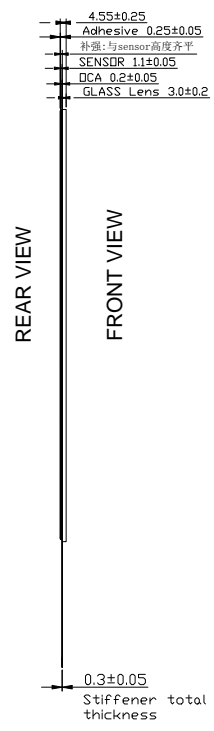
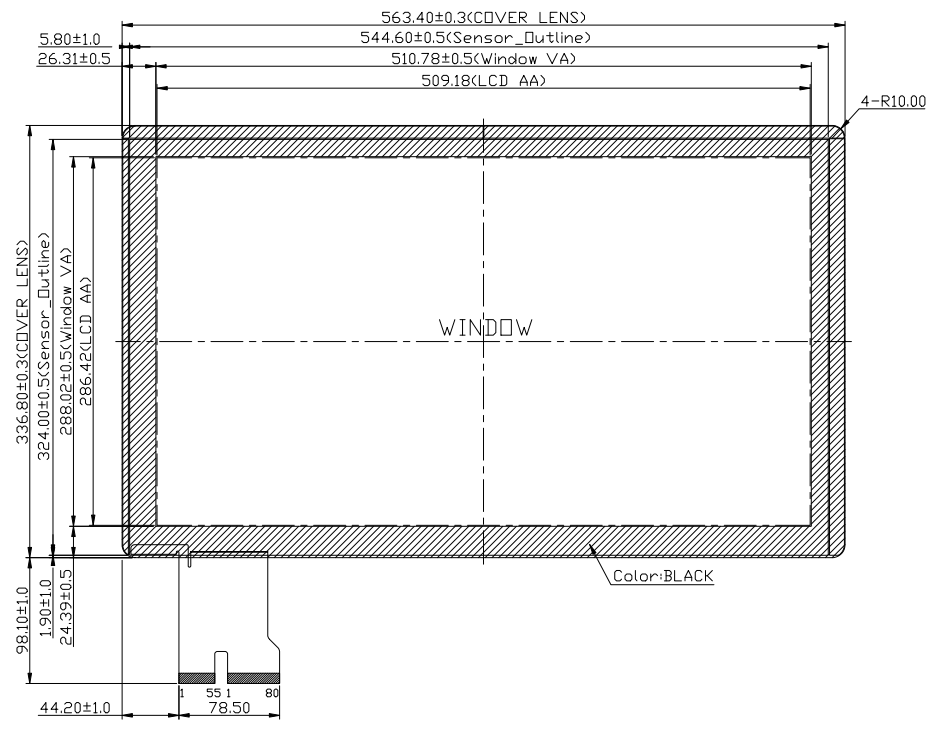


MARK	HISTORY			NAME	DATE	MARK	HISTORY			NAME	DATE
▲						▲					
▲						▲					
▲						▲					
▲						▲					

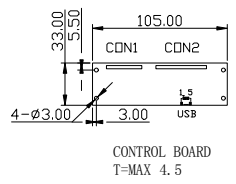
FRONT VIEW

SIDE VIEW

REAR VIEW



- Notes:
- Operating Temperature: -10°C ~ +60°C;
Storage Temperature: -20°C ~ +70°C.
 - Hardness ≥ 7H.
 - Transparency ≥ 83%.
 - Unspecified Tolerance: ±0.30.
 - ROHS Compliance.



PIN ASSIGNMENT	
USB	
Pin	Name
1	VDD
2	D-
3	D+
4	GND
5	GND

DY2302W-2533			HSGK 23		ver.1	
murphy		2016.08.18				